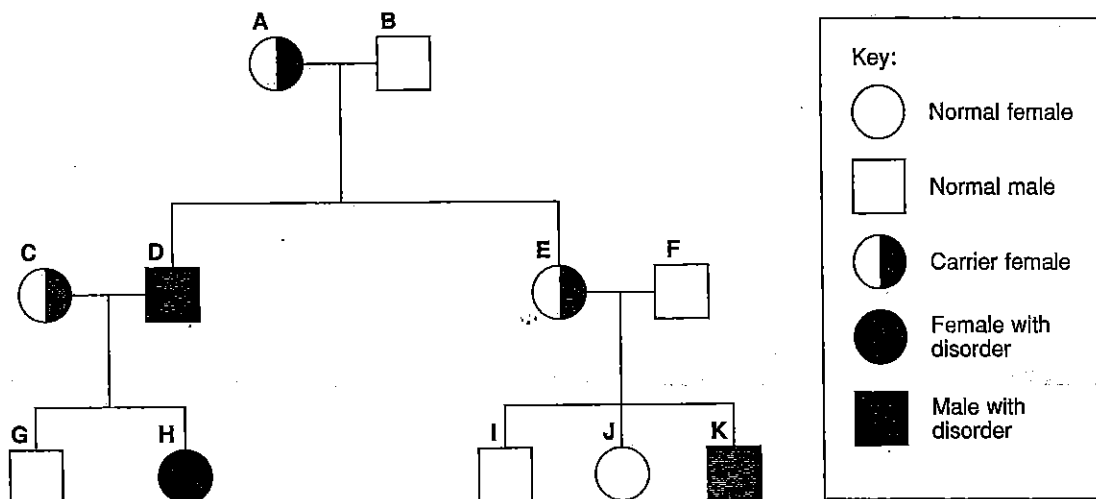


Applied Genetics

A. Duchenne muscular dystrophy is a deadly disorder in which the muscles grow progressively weaker. The disease is caused by a recessive gene on the X chromosome. The pedigree chart below illustrates the inheritance of this gene. Use the chart to answer the questions that follow.



1. Is Duchenne muscular dystrophy more likely to occur in males or in females? Explain your answer.

2. Individual H is a female with this disorder. Explain how she inherited this disease.

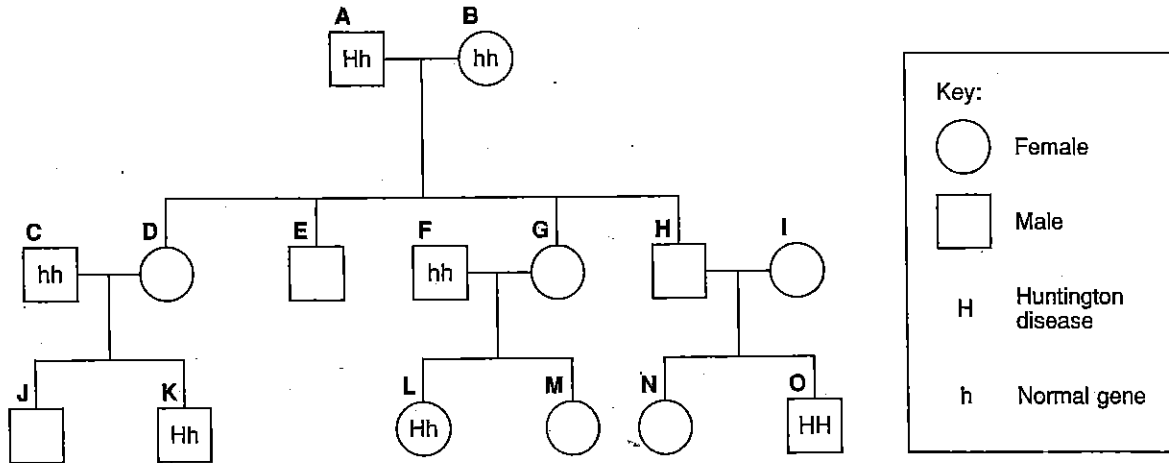
3. Individual K has this disorder, yet his father did not. Explain how this is genetically possible.

4. Individual G does not have the disease, yet his mother was a carrier and his father had the disease.

Explain how this is possible. _____

5. Why is the genotype of the father unimportant when investigating sex-linked traits inherited by male offspring? _____

B. Huntington disease, a disease of the nervous system, is caused by an autosomal dominant gene. The pedigree chart below illustrates a family with individuals who have Huntington disease. Use the chart to answer the questions that follow.



6. What is the probable genotype of individual D? Explain your answer. _____
7. What are the probable genotypes of individuals H and I? Explain your answer. _____
8. What is the probability that N will not have Huntington disease? _____
9. Which individuals can be determined to have Huntington disease? _____
10. Identify the individuals whose genotypes cannot be determined without more information. _____